



# AIRPORT COLLECTION

HIGH QUALITY WORKWEAR



# AIRPORT COLLECTION

The first Viking Rubber Airport Collection was developed now 6 years ago. It was developed in a close cooperation with airports and their staff. The idea was to create a collection of safety wear, dedicated the work and the staff of airports, in order to ensure safety, functions, comfort and quality. The collection, especially designed and developed for airports and for the airport staff, have been very well received and until today, the collection has been implemented in several airports throughout Europe. From the beginning and until today we have received a lot of positive and constructive feedback, with ideas for new features and for optimization of existing functions and features. All this feedback and more, we have implemented in our brand-new Airport Collection.

On the following pages we are pleased to show the new collection. As each airport normally takes their safety cloth in their own colour way, the garments in the new collection, can be chosen in the colour combinations as shown or can be chosen, in the special colour way of your airport/department. When ordering, you have the possibility to choose your own colour way and your own logo and for this reason the collection is not available from stock.

# ALL WEATHER JACKET

The Airport all weather jacket is developed for you who works outdoors in all kinds of weather. The three ground elements in the jacket are safety, comfort and quality.



## ALL WEATHER JACKET CLASS 2

The jacket is fluorescent and achieves EN ISO 20471 class 2.

<b>HV-ORANGE/HV-YELLOW</b>	18028
<b>HV-YELLOW/BLACK</b>	19017
<b>SIZE</b>	XS-3XL



## ALL WEATHER JACKET CLASS 3

As class 2 but the width of the reflective has been increased from 50 mm to 60 mm.

<b>HV-ORANGE/HV-YELLOW</b>	19040
<b>HV-YELLOW/BLACK</b>	19039
<b>SIZE</b>	XS-3XL

# FEAUTURES

MICRO FLEECE

INSIDE YOKE: STORAGE FOR ID CARD POCKET

RADIO STRAP

INSIDE POCKET: STRAP WITH FIX-LOCK

DETACHABLE: ID CARD POCKET

CHESTPOCKET WITH YKK ZIPPER

2 PLACKETS AT FRONT  
CLOSED WITH VELCRO

CORDURA  
REINFORCEMENT

HORIZONTAL SIDE POCKET

MICRO FLEECE  
(INSIDE POCKET BAG)

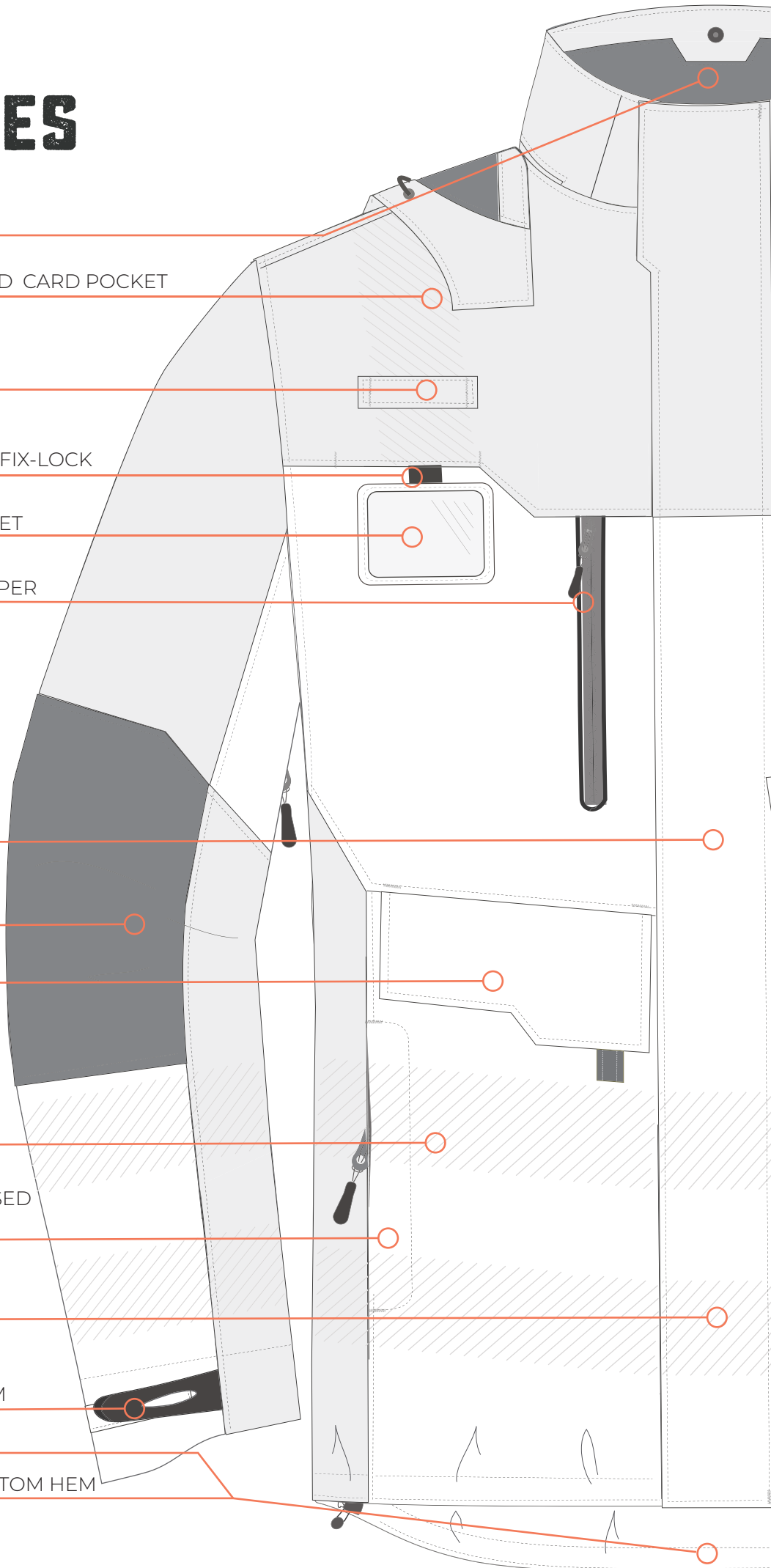
VERTICAL SIDE POCKET CLOSED  
WITH YKK ZIPPER

YKK ZIPPER AT FRONT

ADJUSTMENT AT SLEEVE HEM

EXTRA LENGTH AT BACK

ADJUSTMENT OF WIDTH BOTTOM HEM



# ZIP IN JACKET

Airport Thermal reversible Zip-in jacket has many functions. In itself the jacket is simple, fluorescent on one side and black on the other.



EN ISO 20471



## ZIP IN JACKET

CLASS 2

The jacket is light, windproof and warm. The Hi Vis side reach with a 50 mm reflective tape EN 20471 class 2

<b>HV-ORANGE/BLACK</b>	18029
<b>HV-YELLOW/BLACK</b>	19018
<b>SIZE</b>	XS-3XL



## ZIP IN JACKET

CLASS 3

The jacket is light, windproof and warm. The Hi Vis side reach with a 60 mm reflective tape EN 20471 class 3.

<b>HV-ORANGE/BLACK</b>	19042
<b>HV-YELLOW/BLACK</b>	19043
<b>SIZE</b>	XS-3XL

# FEAUTURES

MICRO FLEECE

INSIDE YOKE: STORAGE FOR ID CARD POCKET

RADIO STRAP

DETACHABLE: ID CARD POCKET

VERTICAL CHEST POCKET WITH YKK ZIPPER

YKK ZIPPER AT FRONT

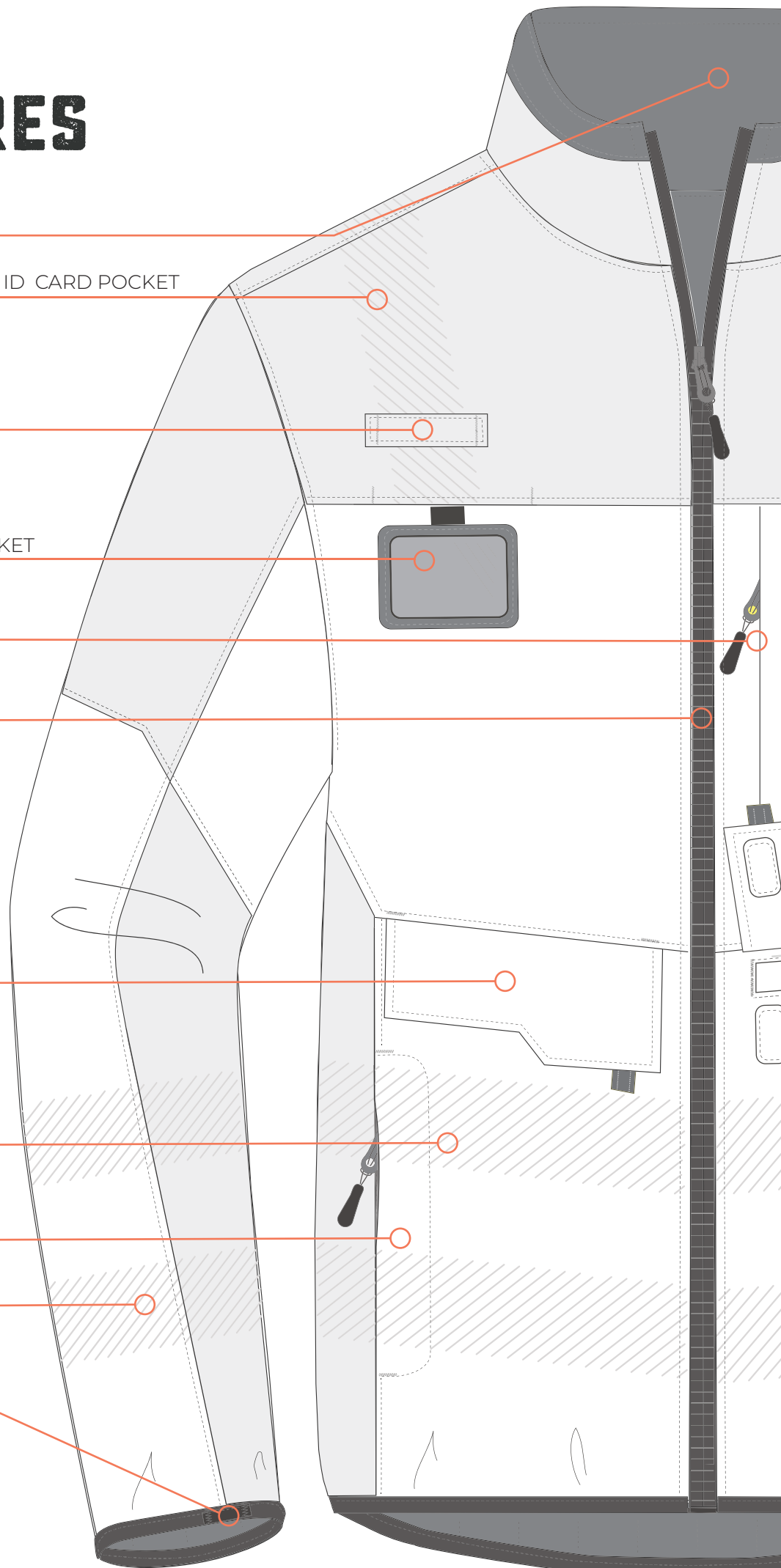
HORIZONTAL SIDE POCKET

MICRO FLEECE (INSIDE POCKET BAG)

VERTICAL SIDE POCKET CLOSED WITH YKK ZIPPER

REFLEX

STRAPS FOR ATTACHMENT TO OUTER JACKET



# SOFTSHELL JACKET

The Airport Softshell jacket, is made out of a very strong and durable fabric with high breathability. For a softshell it has the right fitting with shaped sleeves. The elbows are reinforced with Cordura®. The jacket has 2 chest pockets and inner pockets. The hood is detachable and adjustable. The sleeves are adjustable and with very soft and comfortable storm cuffs.



## SOFTSHELL JACKET

CLASS 2

The softshell jacket is water repellent, windproof and very comfortable it is Hi Vis and reaches with a 50 mm reflective tape EN 20471 class 2.

**HV-ORANGE/HV-YELLOW** 18026  
**HV-YELLOW/BLACK** 19019  
**SIZE** XS-3XL



## SOFTSHELL JACKET

CLASS 3

The softshell jacket is water repellent, windproof and very comfortable it is Hi Vis and reaches with a 60 mm reflective tape EN 20471 class 3.

**HV-ORANGE/HV-YELLOW** 19041  
**HV-YELLOW/BLACK** 19044  
**SIZE** XS-3XL



# FEAUTURES

MICRO FLEECE

INSIDE YOKE: STORAGE FOR ID CARD POCKET

RADIO STRAP

DETACHABLE: ID CARD POCKET

CHESTPOCKET WITH YKK ZIPPER

INSIDE POCKET: STRAP WITH FIX-LOCK

CORDURA REINFORCEMENT

HORIZONTAL SIDE POCKET

MICRO FLEECE (INSIDE POCKET BAG)

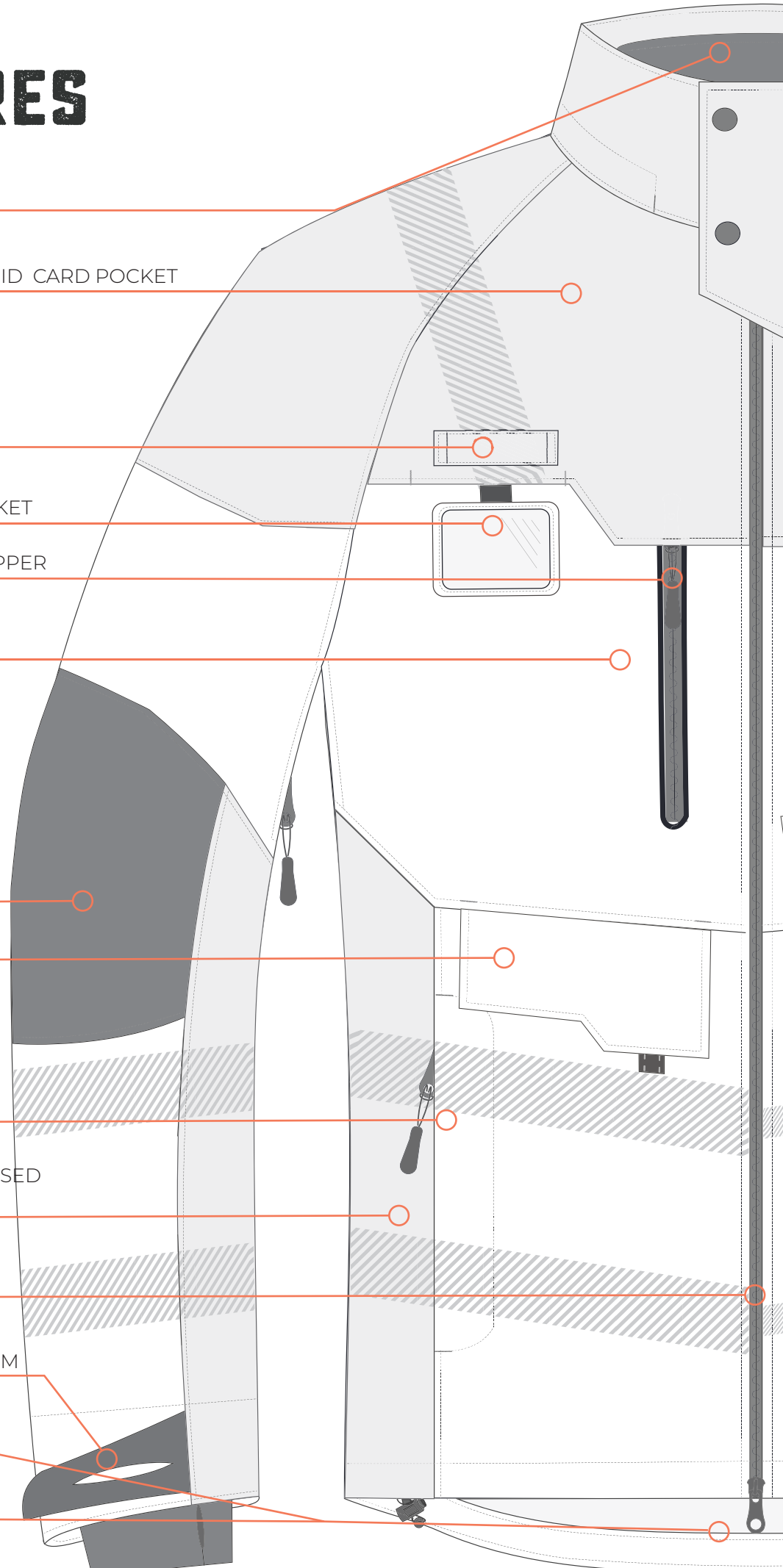
VERTICAL SIDE POCKET CLOSED WITH YKK ZIPPER

2 WAY YKK ZIPPER

ADJUSTMENT AT SLEEVE HEM

EXTRA LENGTH AT BACK

ADJUSTMENT OF WIDTH BOTTOM HEM



# WAIST COAT

With our airport waistcoat, we have taken the classic safety waist coat one step further. We use a more durable and sustainable fabric than usually used and have implemented more features and comfort.



## WAISTCOAT CLASS 1

The class 1 safety waist coat, has several possible ways for contrast colours and logos. This style allows a size of logo of 0,25 m<sup>2</sup>

<b>HV-ORANGE/HV-YELLOW</b>	19048
<b>HV-YELLOW/BLACK</b>	19049
<b>SIZE</b>	XS-3XL



## WAISTCOAT CLASS 2

This safety waist coat meets EN 20471 class 2 from size M Logo on this cannot exceed 0,05m<sup>2</sup> and the space for contrast colours is limited to the edge band.

<b>HV-ORANGE/HV-YELLOW</b>	18027
<b>HV-YELLOW/BLACK</b>	19047
<b>SIZE</b>	XS-3XL

# FEAUTURES

INSIDE YOKE: STORAGE FOR ID CARD POCKET

RADIO LOOP

MESH FOR VENTILATION

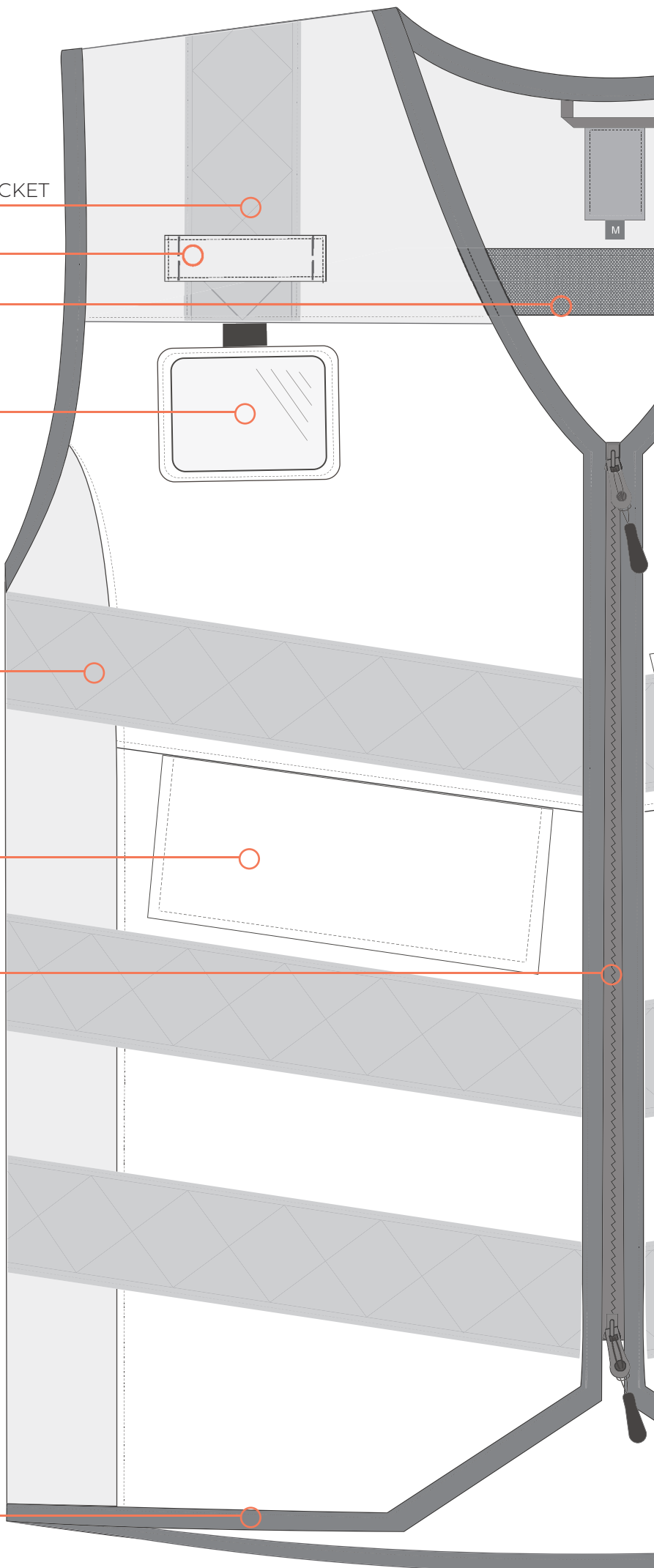
DETACHABLE: ID CARD POCKET

REFLEX

HORIZONTAL SIDE POCKET

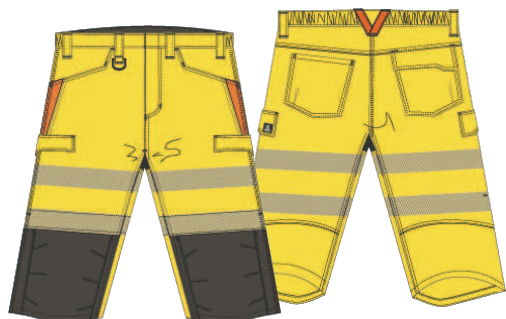
2 WAY YKK ZIPPER  
AT FRONT

ELASTIC BAND AT EDGE



# 3/4 TROUSERS

These shorts have been developed for those wanting safety trousers in combination with summer comfort. The fabric is light and very soft.



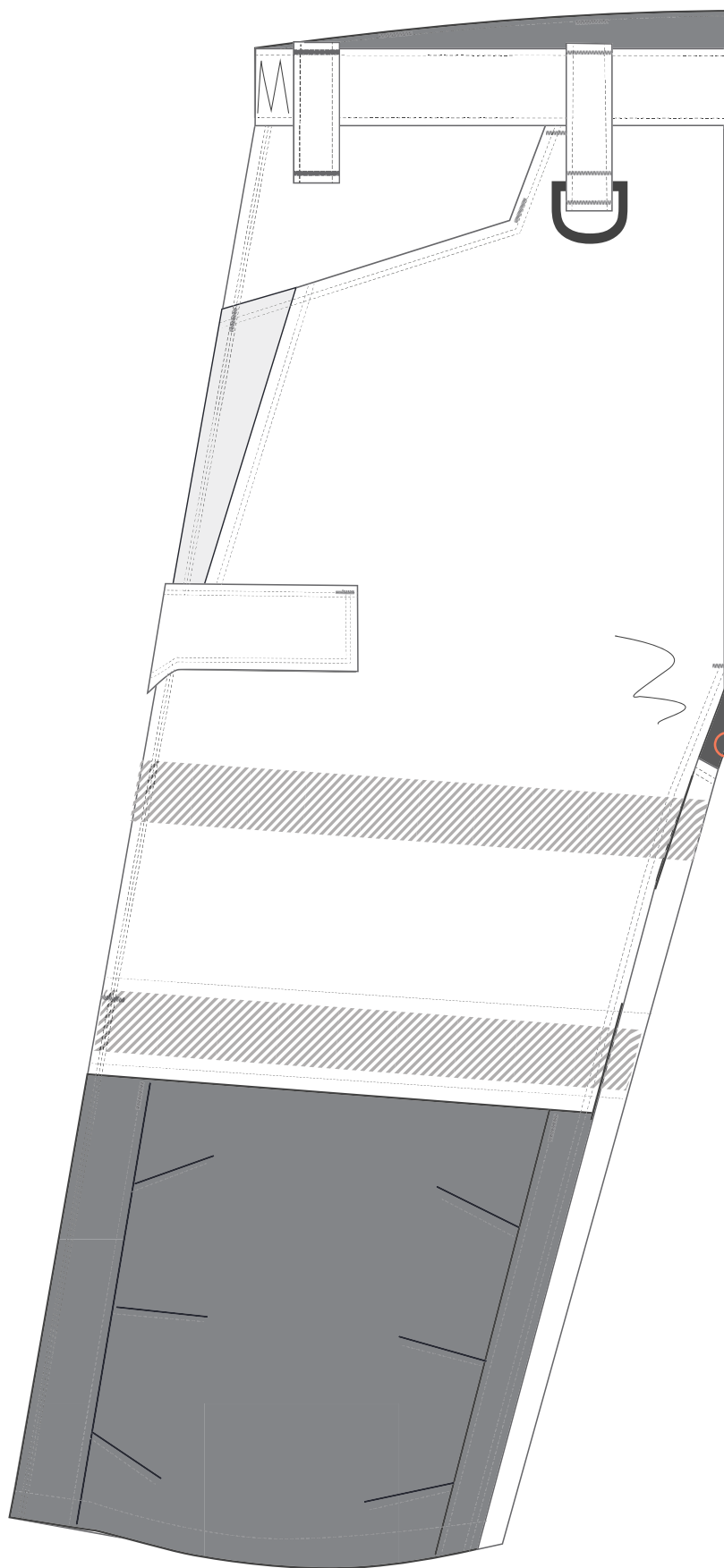
---

## 3/4 TROUSERS CLASS 1

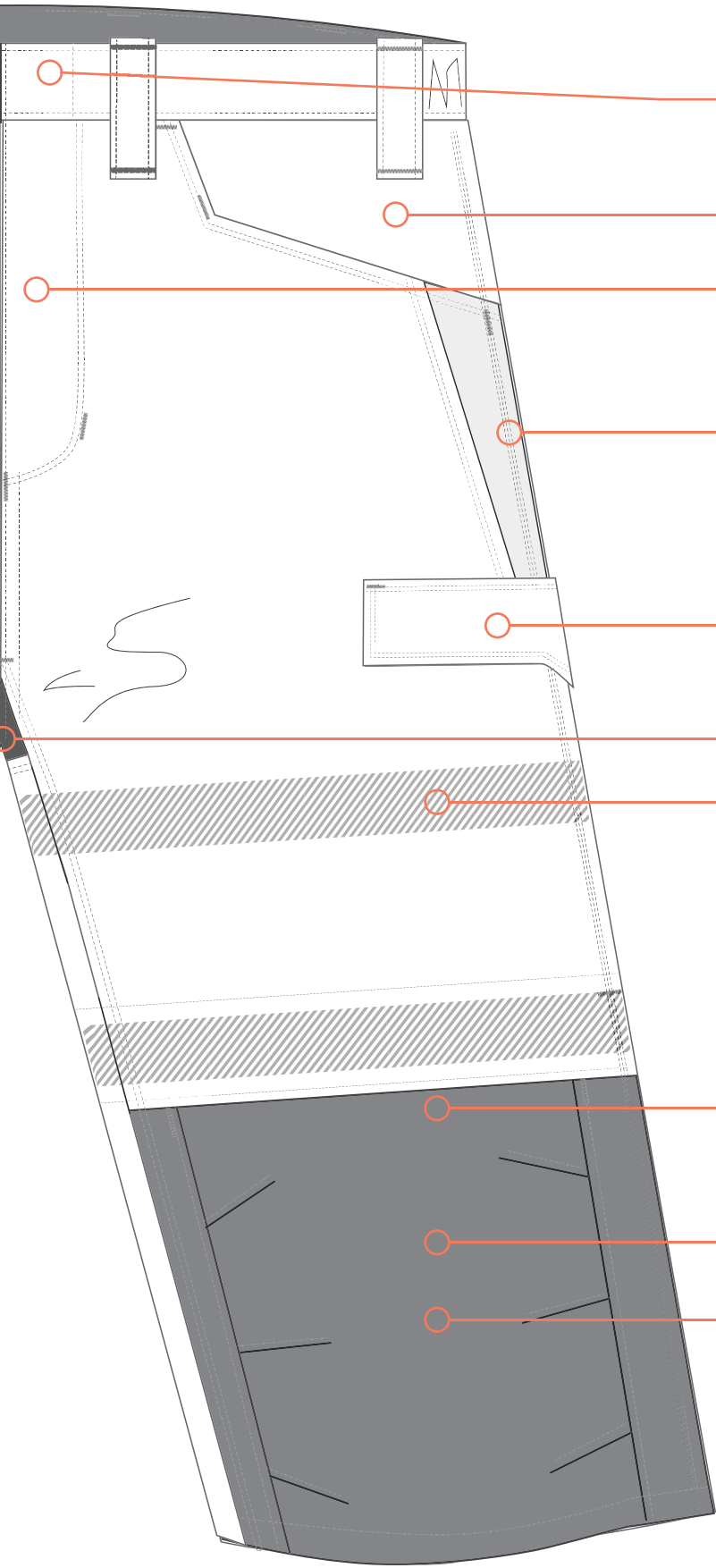
Shorts with reinforced, pre-shaped Cordura knee pockets, elasticated waist. Stretch gusset in crotch for better comfort and ventilation

**HV-YELLOW/BLACK  
SIZE**

19015  
42 - 64



# FEAATURES



UNSHOWN BUTTON AT WAISTBAND

BIG SIDE POCKET

YKK ZIPPER AT FLY

DURABLE  
3 NEEDLE SEAM

THIGH POCKET.  
FLAP CLOSED WITH VELCRO

KNITTED GUESSET:  
FOR VENTILATION/ BETTER MOVEMENT

REFLEX

ACCESS TO KNEE POCKET

CORDURA AT KNEE

PRE-SHAPED LEG

# TROUSERS

The Airport work trouser is developed for the one who wants optimum safety in the Airport and good comfort while working. We've equipped the trouser with Cordura® reinforcement on the knees and other places where the trouser usually is less durable. This increases the longevity of the trouser which means the environment is damaged less as you won't have to buy new trousers often.



## WORK TROUSERS

CLASS 2

Safety Airport Trousers EN 20471 class 2. Pre-shaped, reinforced, Cordura knee pockets. Stretch gusset in crotch for better comfort and ventilation. Ventilation openings with zipper on the back side of leg.

**HV-YELLOW/HV-ORANGE** 18034

**SIZE** 42+ -64+



## SERVICE TROUSERS

CLASS 1

Service Airport Trousers EN 20471 class 1. Pre-shaped, reinforced, Cordura knee pockets. Stretch gusset in crotch for better comfort and ventilation. Ventilation openings with zipper on the back side of leg.

**BLACK/HV-YELLOW** 18042

**SIZE** 42+ - 64+

# FEAUTURES

STRAP WITH D-RING

YKK ZIPPER AT FLY

BIG THIGH POCKET WITH FOLD AT SIDES.  
FLAP CLOSED WITH VELCRO

POCKET CLOSED WITH VELCRO

KNITTED GUESSET:  
FOR VENTILATION/ BETTER MOVEMENT

TOOLSTRAPS

PENPOCKET

ACCESS TO KNEE POCKET

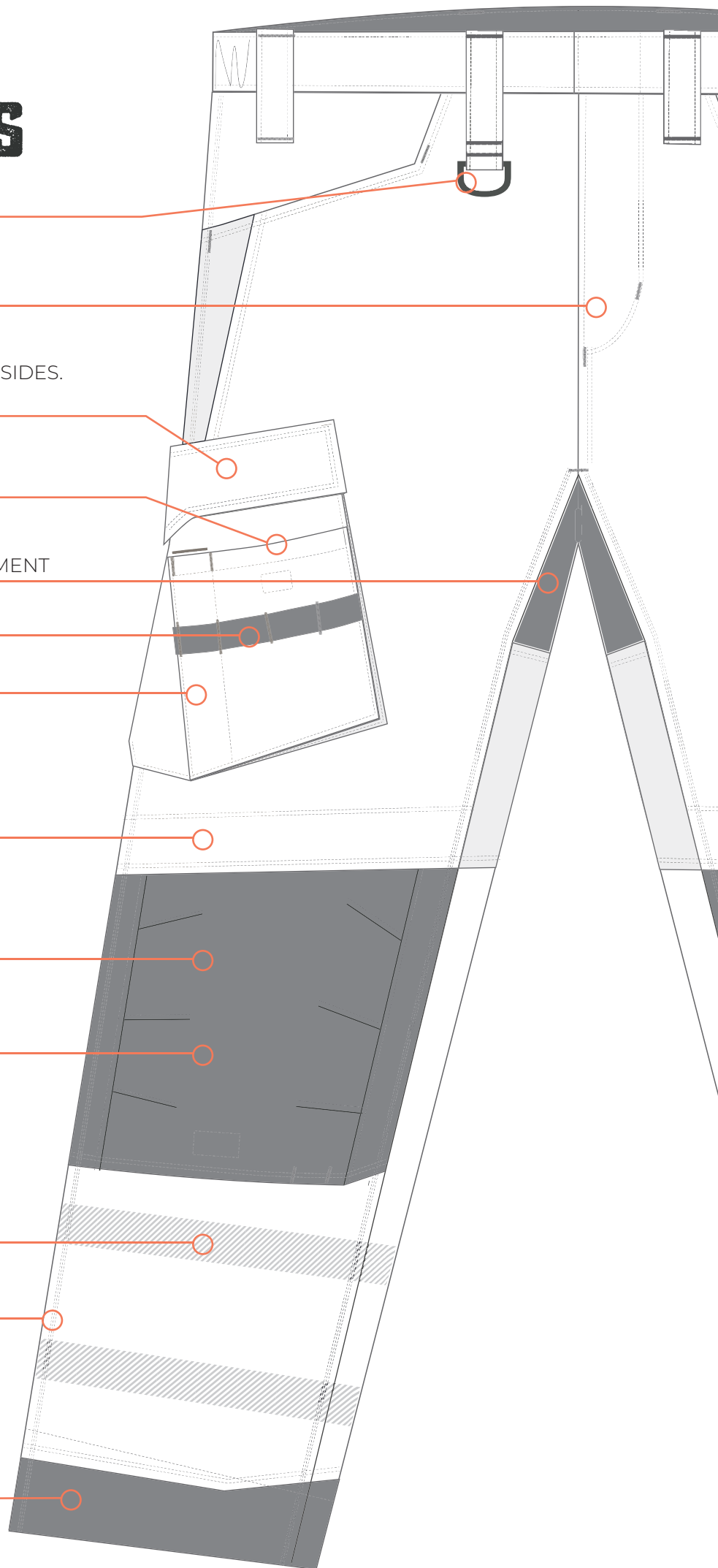
CORDURA AT KNEE

PRE-SHAPED KNEE

REFLEX

DURABLE 3 NEEDLE SEAM

CORDURA AT HEM



# RAIN TROUSERS

Airport waterproof trouser is developed for the you who need durable water proof workwear with high comfort. The fabric is very strong and durable, 100% waterproof and with a good breathability. The trouser has a high elasticated back, ensuring a perfect fit.



## RAIN TROUSERS PRO

CLASS 2

Airport Rain Trousers Pro, EN 20471 class 2. Reinforced, Cordura knee pockets and Cordura at hem. 2 big thigh pockets. Ventilation openings with zipper on the backside of legs.

**HV-YELLOW/HV-ORANGE** 19043  
**SIZE** 42+ -64+



## RAIN TROUSERS BASIC

CLASS 2

Airport Rain Trousers Basic. EN 20471 class 2. Pre-shaped knees. Cordura reinforcement at hem. Elasticated waist. Two side pockets with zipper.

**HV-YELLOW/HV-ORANGE** 18035  
**SIZE** 42+ -64+



## SERVICE RAIN TROUSERS

CLASS 1

Service Airport Rain Trousers Basic. EN 20471 class 1. Pre-shaped knees. Cordura reinforcement at hem. Elasticated waist. Two side pockets with zipper.

**HV-YELLOW/BLACK** 18084  
**SIZE** 42+ -64+



# FEAUTURES

ELASTIC INSIDE WAISTBAND

BROAD BELTLOOPS

SIDE POCKET CLOSED WITH YKK ZIPPER

INSIDE POCKET BAG: OPENING TO GAIN ACCESS TO TROUSERS

BIG THIGH POCKET WITH FOLD AT SIDES. FLAP CLOSED WITH VELCRO

POCKET CLOSED WITH VELCRO

TOOLSTRAPS

PENPOCKET

ACCESS TO KNEE POCKET

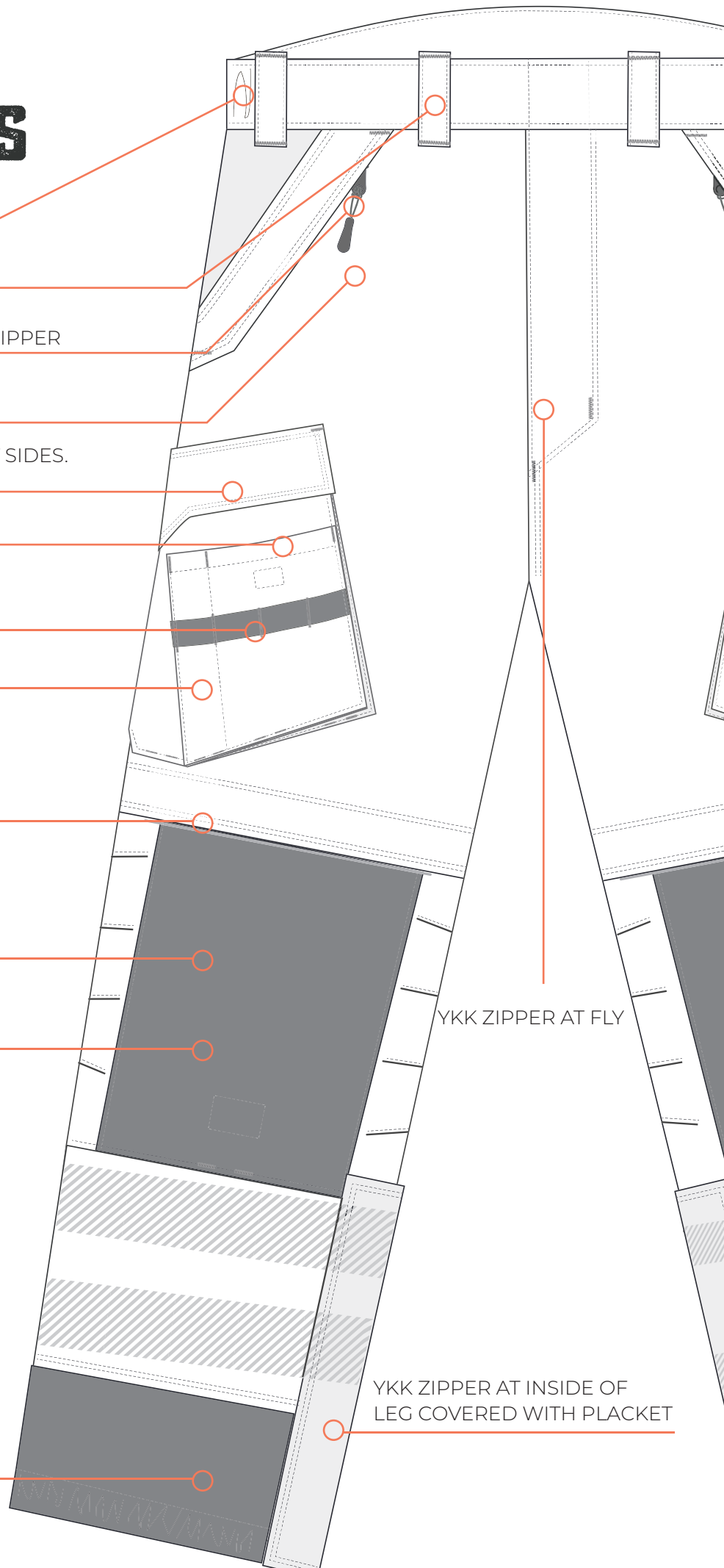
CORDURA AT KNEE

PRE-SHAPED LEG

CORDURA AT HEM

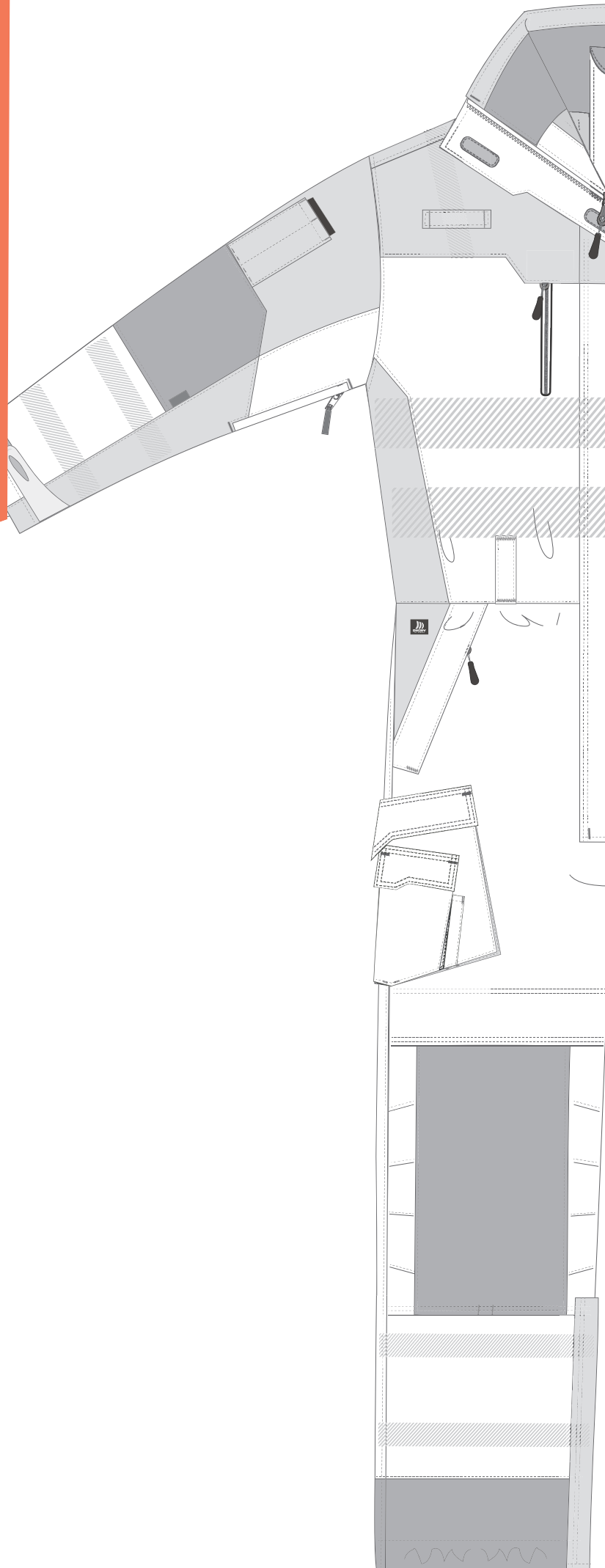
YKK ZIPPER AT FLY

YKK ZIPPER AT INSIDE OF LEG COVERED WITH PLACKET



# BOILER SUIT

Airport, one piece suit, EN20471 class 3, is for those, who need protection against extreme weather conditions. It is 100% waterproof, full taped and with a high breathability

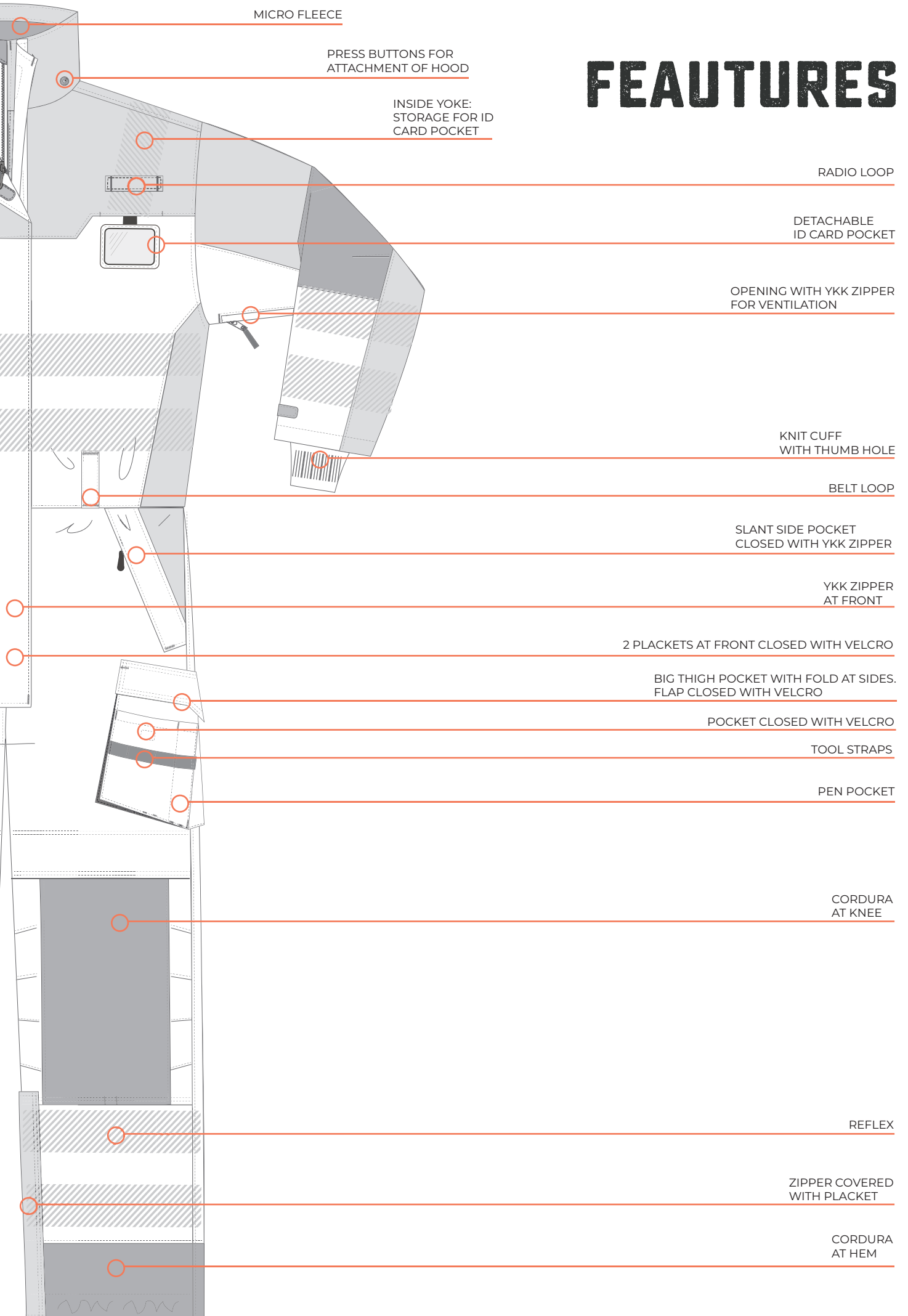


## BOILER SUIT CLASS 3

The boiler suit keeps your body warm with wadding of 150 g/m<sup>2</sup>. Ventilation under the arms for a high comfort. Two big thigh pockets. Zip opening in the bottom leg for easy access. Cordura reinforcement at knee pocket and bottom hem

**HV-YELLOW/HV-ORANGE** 18036  
**SIZE** XS - 3XL

# FEAUTURES



MICRO FLEECE

PRESS BUTTONS FOR ATTACHMENT OF HOOD

INSIDE YOKE: STORAGE FOR ID CARD POCKET

RADIO LOOP

DETACHABLE ID CARD POCKET

OPENING WITH YKK ZIPPER FOR VENTILATION

KNIT CUFF WITH THUMB HOLE

BELT LOOP

SLANT SIDE POCKET CLOSED WITH YKK ZIPPER

YKK ZIPPER AT FRONT

2 PLACKETS AT FRONT CLOSED WITH VELCRO

BIG THIGH POCKET WITH FOLD AT SIDES. FLAP CLOSED WITH VELCRO

POCKET CLOSED WITH VELCRO

TOOL STRAPS

PEN POCKET

CORDURA AT KNEE

REFLEX

ZIPPER COVERED WITH PLACKET

CORDURA AT HEM

## DENMARK

**Viking Rubber Company A/S | Johan Rantzaus Vej 6 | DK-5600 Faaborg**

Tel: +4562618098 | Fax: +4562618619 | E-mail: [sales@viking-rubber.dk](mailto:sales@viking-rubber.dk)

## GERMANY

**Viking Rubber Deutschland GMBH | Leverkusenstraße54 |**

**Vorderhaus, 22761 Hamburg**

Tel: +49 /(0)40/ 85 41 33 90 | Mobile: +49 /(0)173 18 26 504 |

E-mail: [verkauf@viking-rubber.dk](mailto:verkauf@viking-rubber.dk)

## SPAIN

**Viking Rubber Spain | Zubiaurrea 3° • 2D | CP: 48200 Durango (Vizcaya)**

Mobile: +34 697 81 57 19 | E-mail: [uue@viking-rubber.dk](mailto:uue@viking-rubber.dk)

